

**PRODUCT CODE: ET5B**  
MALLEABLE CONDUIT BOX



**DESCRIPTION**

20mm Malleable Tee Intersection Conduit Box

**FINISH**

Black Enamel

**MATERIAL**

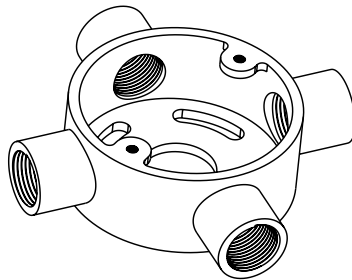
Malleable Iron

**PACKAGING**

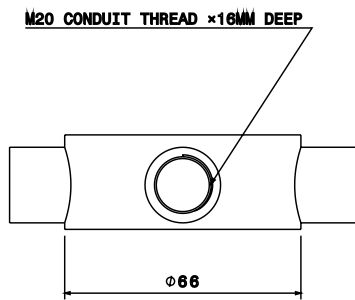
Packed in qty 10

**ADDITIONAL NOTES**

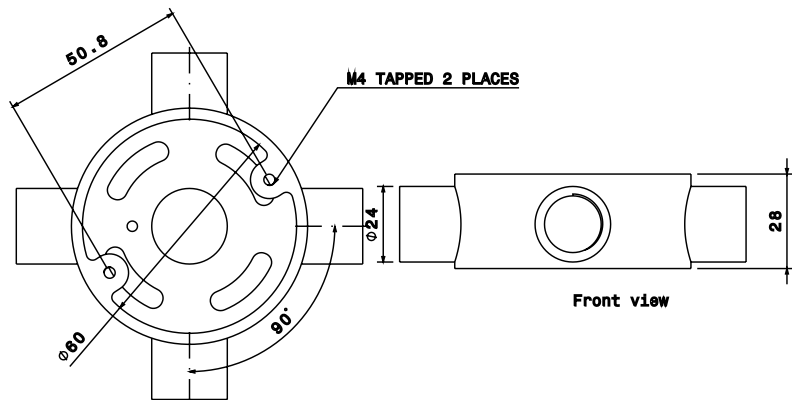
Conforms to BS EN61386-1:2008  
Compliant to LU Standard 1-085 (for use on surface & sub-surface locations)



Isometric view



Side view



Top view